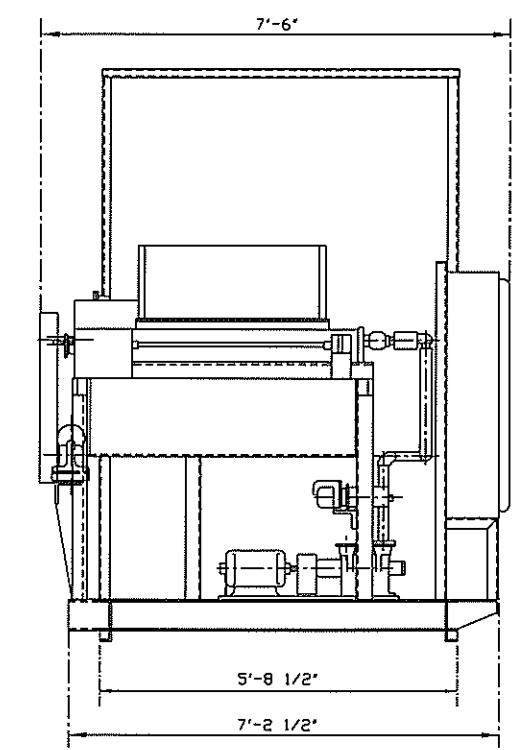
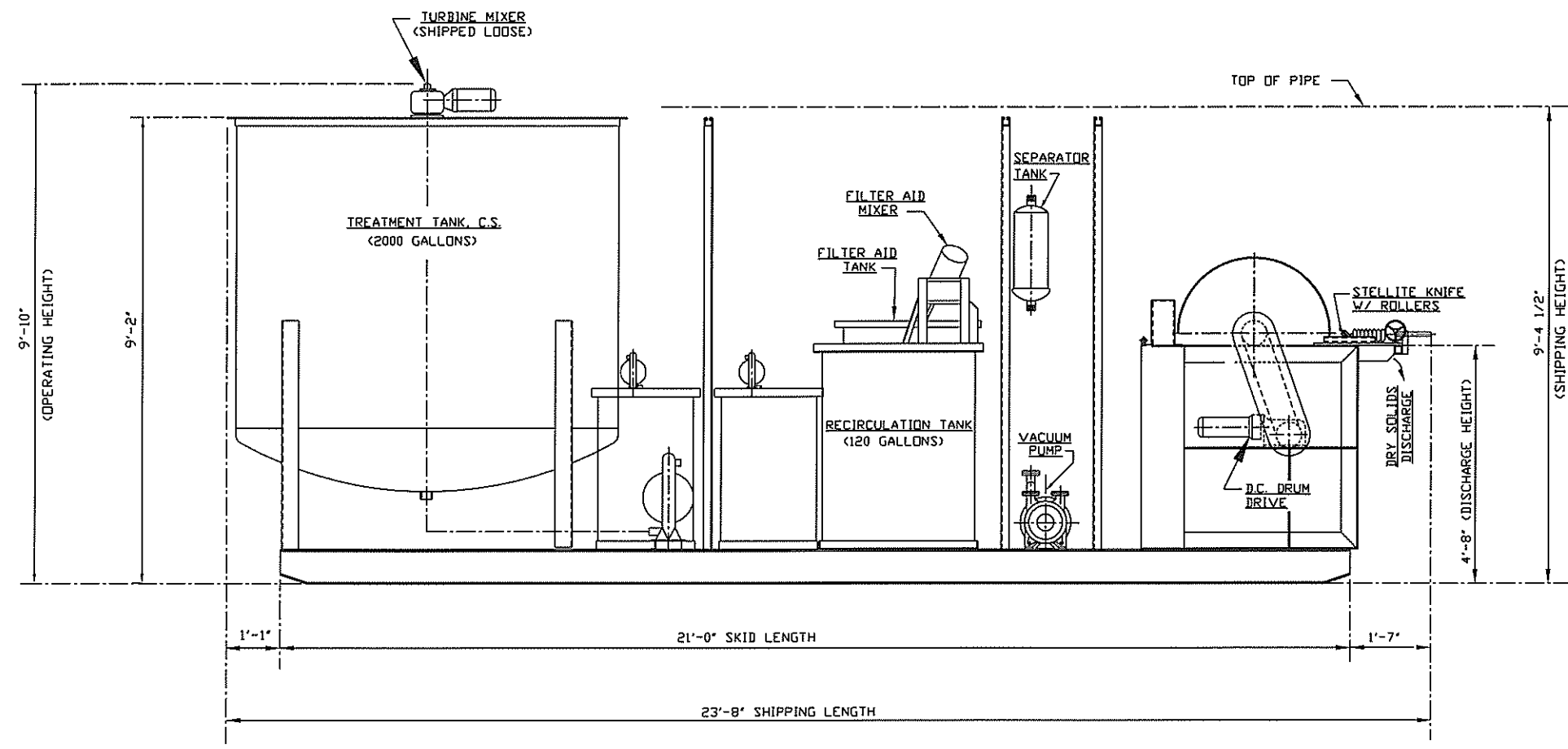


NOTE:
 ALL MOTORS AND CONTROLS ARE PREWIRED
 ALL PROCESS AND SERVICE LINES ARE PREPIPED

SHIPPING WEIGHT = 8,700#
 OPERATING WEIGHT = 35,200#



REV.	DATE	DESCRIPTION	BY	APP'D.
A	04/25/05	FOR INFORMATION	RLI	
ALAR ENGINEERING CORPORATION				
MCKENA, ILLINOIS 60448				
SCALE:	3/4"=1'-0"	APPROVED BY:	DRAWN BY:	RLI
DATE:	04/25/05		CHECK BY:	
FLEX-O-STAR 2000 PLUS GENERAL ARRANGEMENT WITH 2000 GALLONS TANK, C.S.				
	REVISION:	A	DRAWING NUMBER:	MIKE SALES-103