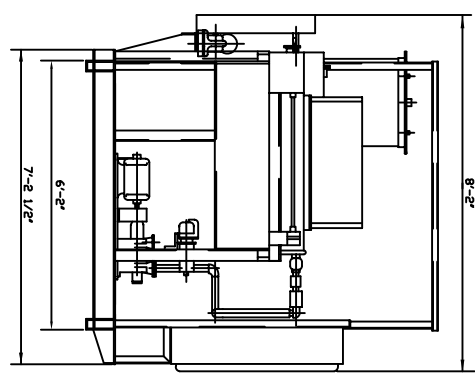


ELECTRICAL: GENERAL SUPPLY
 140V/60 HZ/1 PH/3 W/30 AMP
 230 VAC, 60 HZ, 1P, 30 AMP.
 CITY WATER (4.5) 1" DIA MAIN, 30 PSIG COND., 30 GPM.
 RECYCLED WATER OR CITY WATER 1/2" DIA.
 CLEAN DRY AIR - 36 CFM, 100 PSIG

NOTE:
 ALL MOTORS AND CONTROL S ARE PROVIDED
 ALL PROCESS AND SERVICE LINES ARE PREPARED
 SHIPPING WEIGHT = 8,700#
 DEBARRING WEIGHT = 35,200#



REV.	DATE	DESCRIPTION	BY	CHK
0	03/19/01	GENERAL REVISIONS	MLL	
1	01/26/04	REV. TREATMENT TANK	MLL	
2			MLL	
3			MLL	

ALAN ENGINEERING CORPORATION
 10000 ALIEN DRIVE 60448
 (PH) 817-411-1111 (F) 817-411-1111
 FAX 817-411-1111
 WWW.AE-CORP.COM

PROJECT: FLEX-STAR 2000 PLUS
 SHEET NO. 01
 OF 01