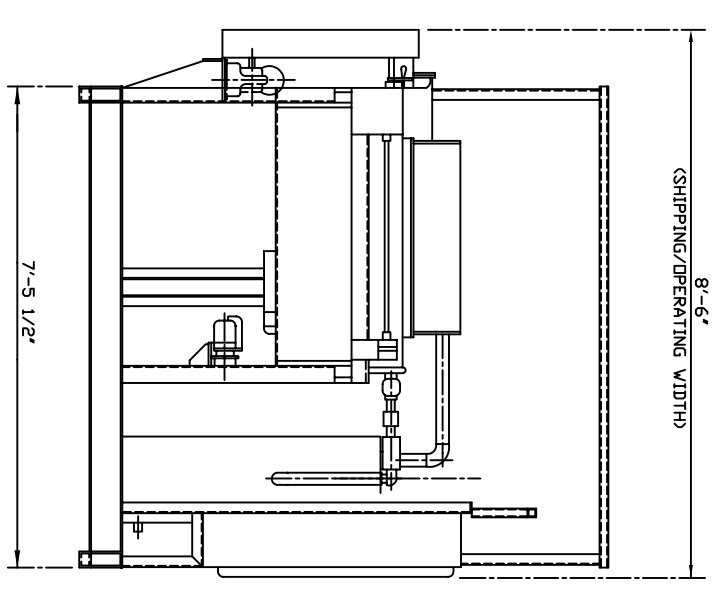
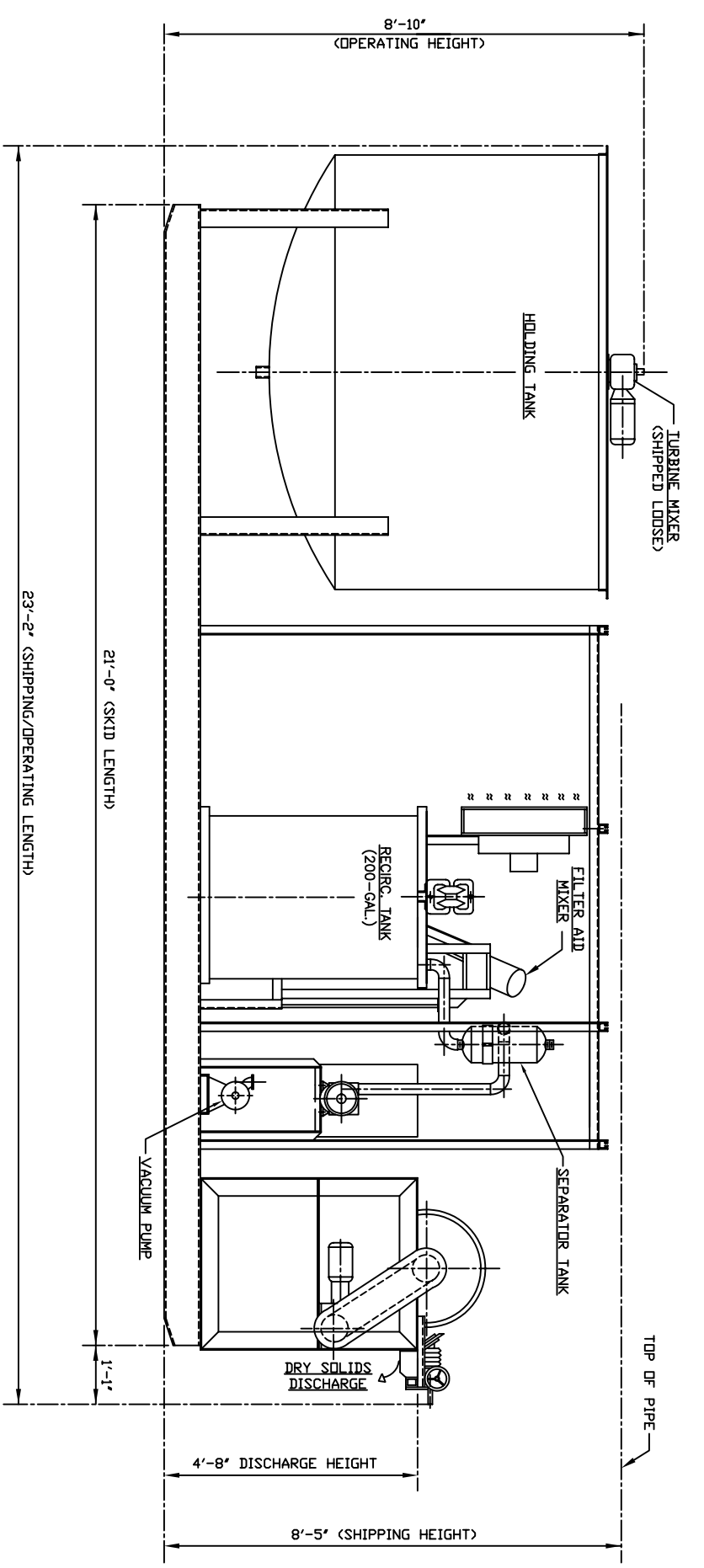


NOTE:
 ALL MOTORS AND CONTROLS ARE PROVIDED
 ALL PROCESS AND SERVICE LINES ARE PREPARED
 SHIPPING WEIGHT = 6,500#
 OPERATING WEIGHT = 28,600#



REV.	DATE	DESCRIPTION	BY	APP'D.
A	12-06-07	FOR RELEASE	ACS	

ALAR ENGINEERING CORPORATION
 MCKENNA, ILLINOIS 60448

SCALE	3/4"=1'-0"	APPROVED BY	SHAWN BY	ACS
DWG NO.	12-06-07			

LAYOUT FOR ECON-D-STAR 2000-C WITH
 RECEIVER, 200-GAL. RECIRCULATION SYSTEM
 2000-GAL. HOLDING TANK A 15015A-LD1