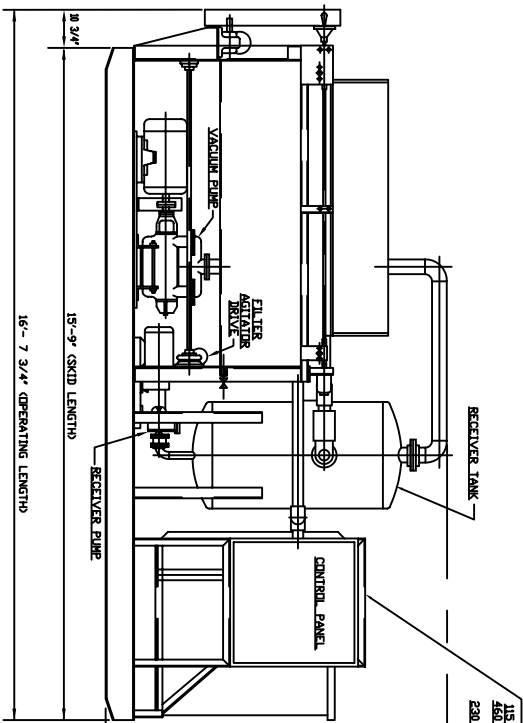
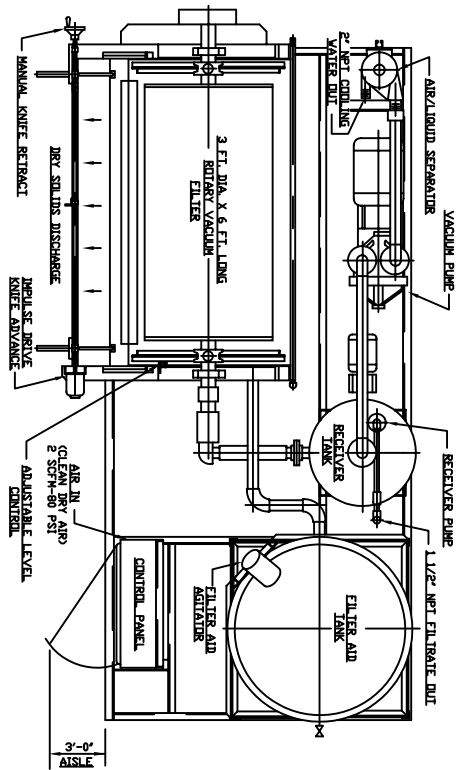
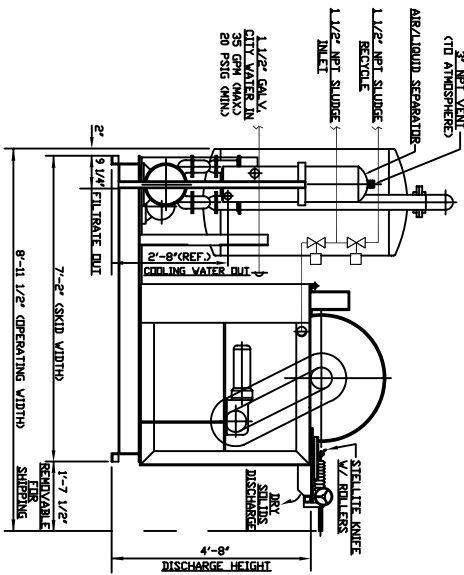


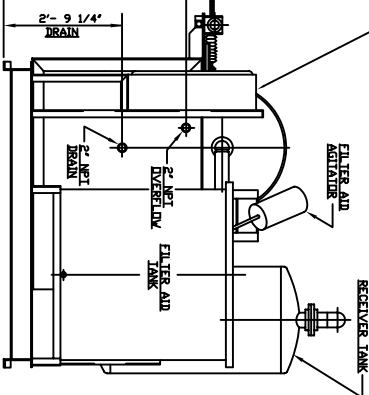
NOTES: -  
 ALL MOTORS AND CONTROLS ARE PROVIDED  
 ALL PROCESS AND SERVICE LINES ARE PROVIDED

SHIPPING WEIGHT = 6,500 LBS.  
 OPERATING WEIGHT = 12,300 LBS.



ELECTRICAL IN  
 115 VAC. 1Ø 60 HZ. USA  
 480 VAC. 3Ø 60 HZ. USA  
 230 VAC. 3Ø 50 HZ. 35A  
 230 VAC. 3Ø 60 HZ. 60A

8'-0" (SHIPPING/OPERATING HEIGHT)  
 4'-3 1/4" OVERFLOW  
 2'-9 1/4" DRAIN



REV.	DATE	DESCRIPTION	BY	APP'D.
C	7/28/78	REV. VACUUM PUMP MTR.		
		ALAR ANTI-VACUUM CORROSION KIT		
		REWORKING 6048		
		LAYOUT FOR AUTO-VAC MODEL 360		
		VITH RECEIVER		
		PLAN AND ELEVATION		